

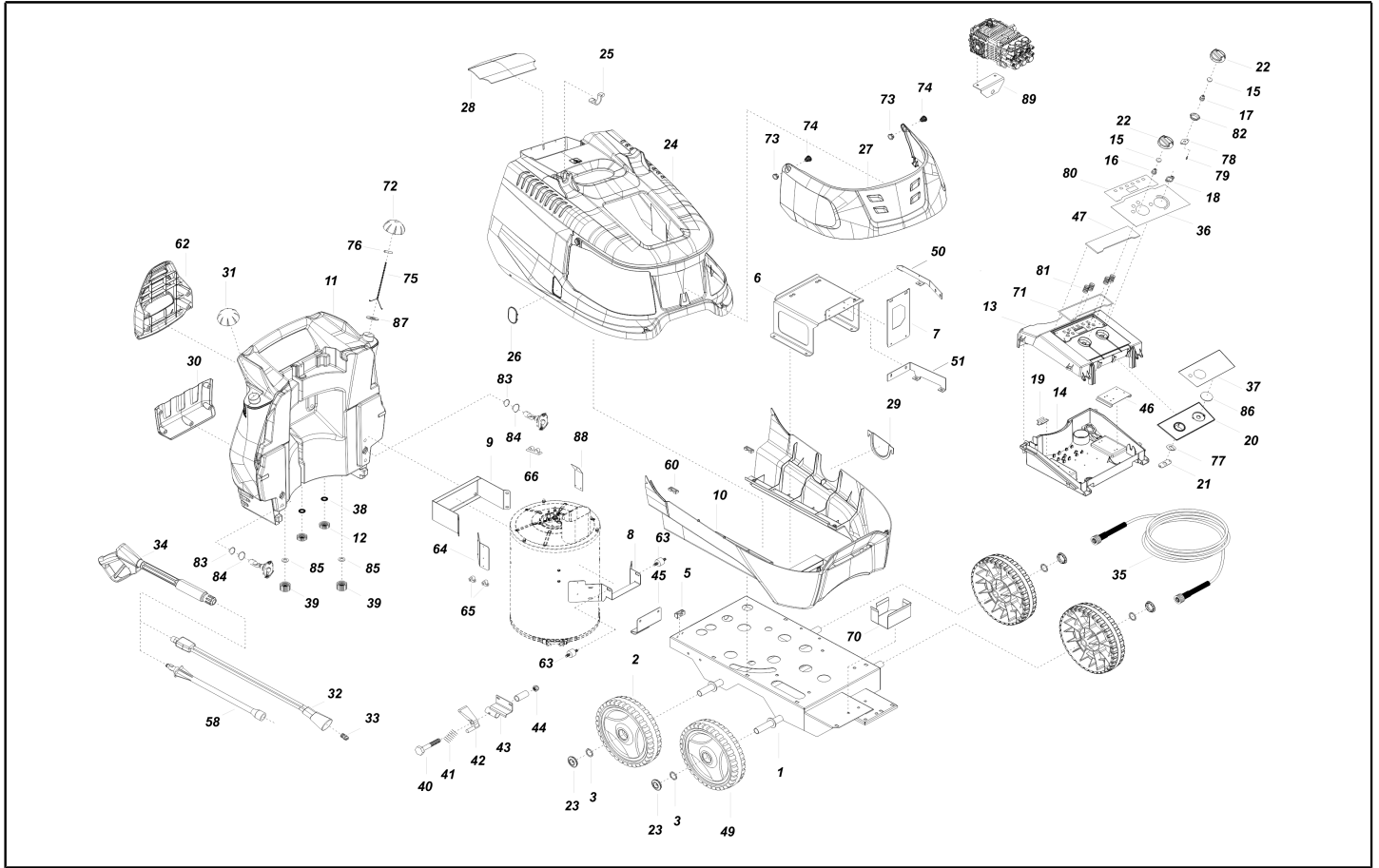


## **Spare Parts List**

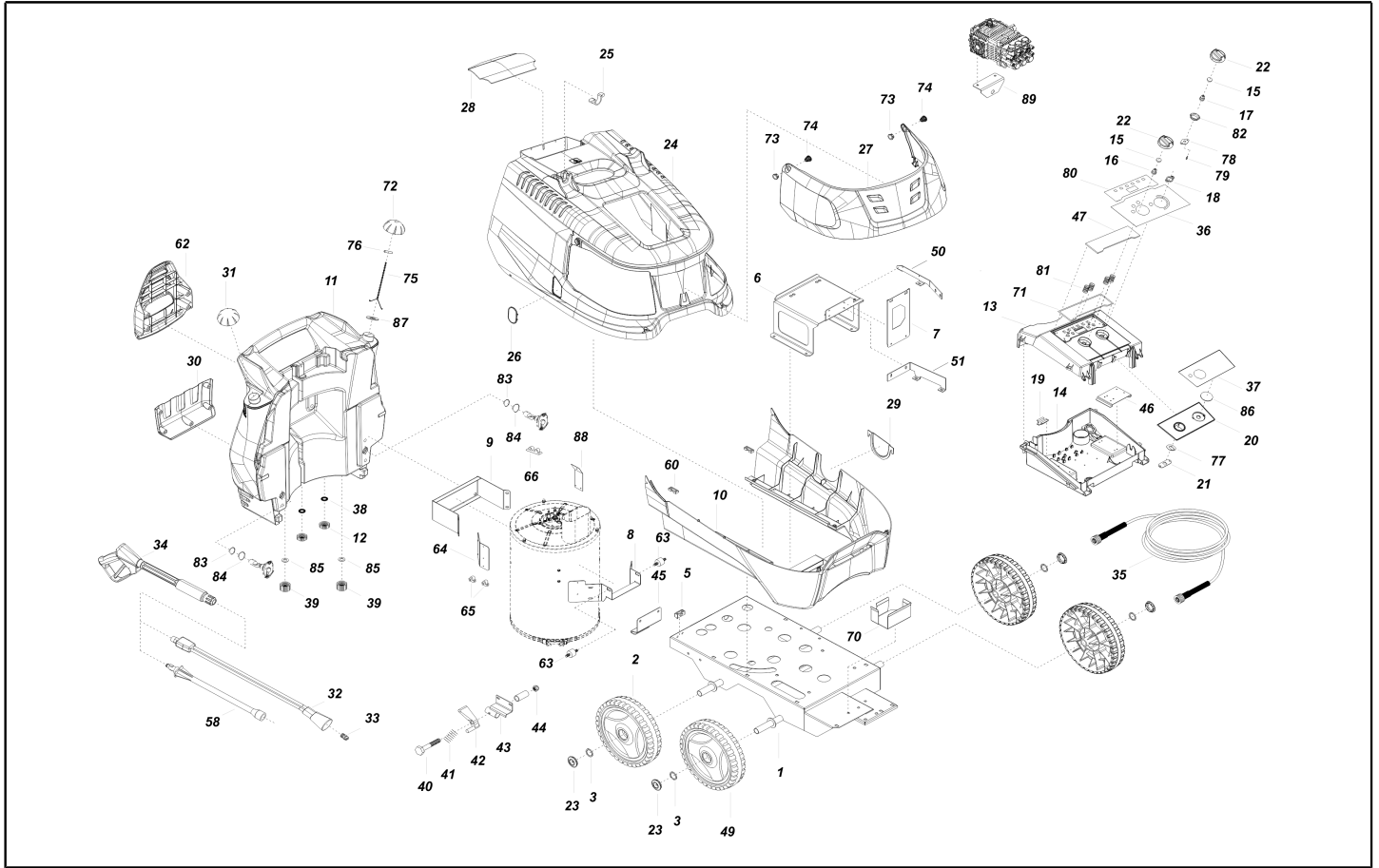
IP Cleaning Srl - Professional

Ref: IDAC41550

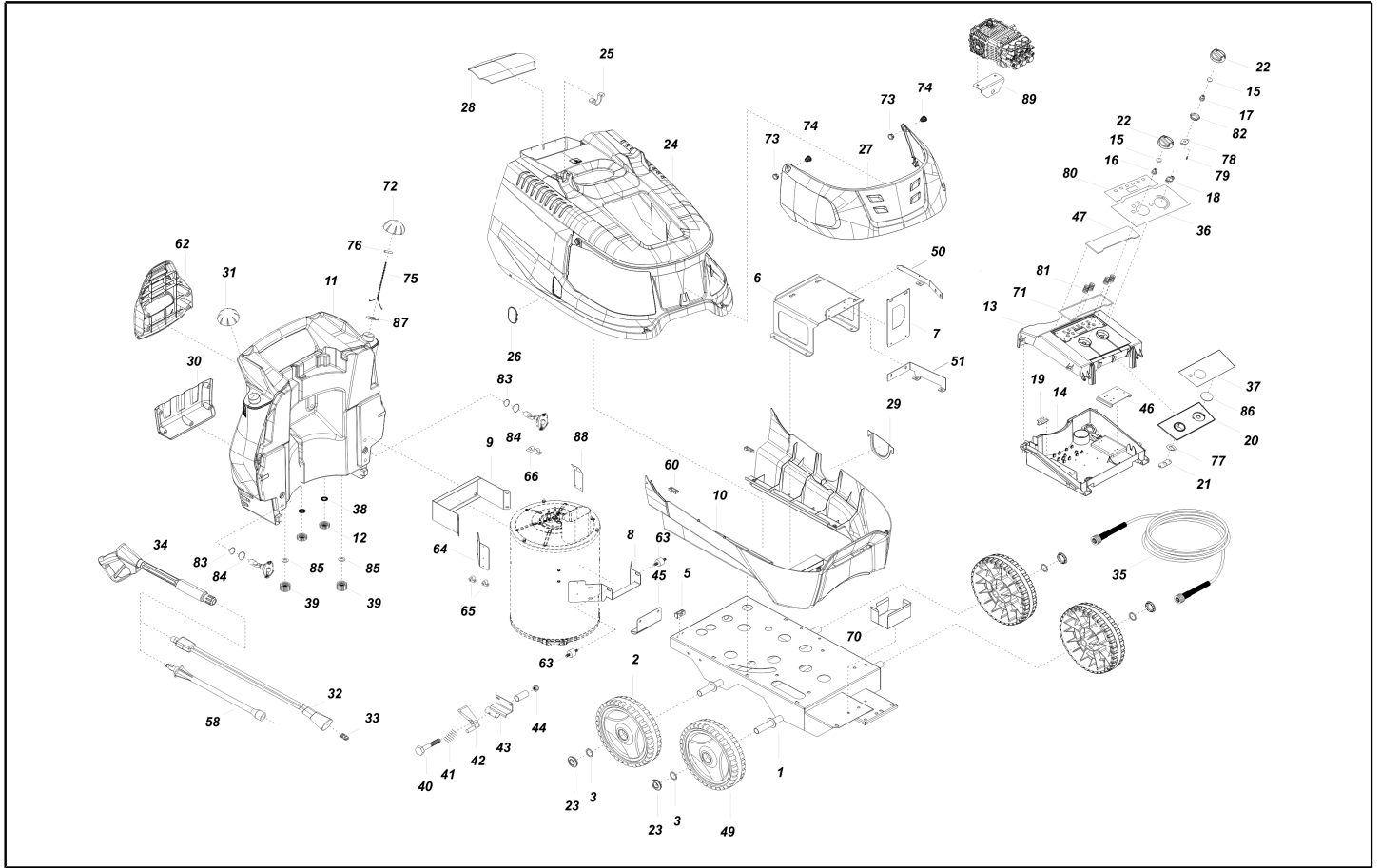
Model: H.P. CLEANER GOLD-H4 D2017P4 T400/50 I



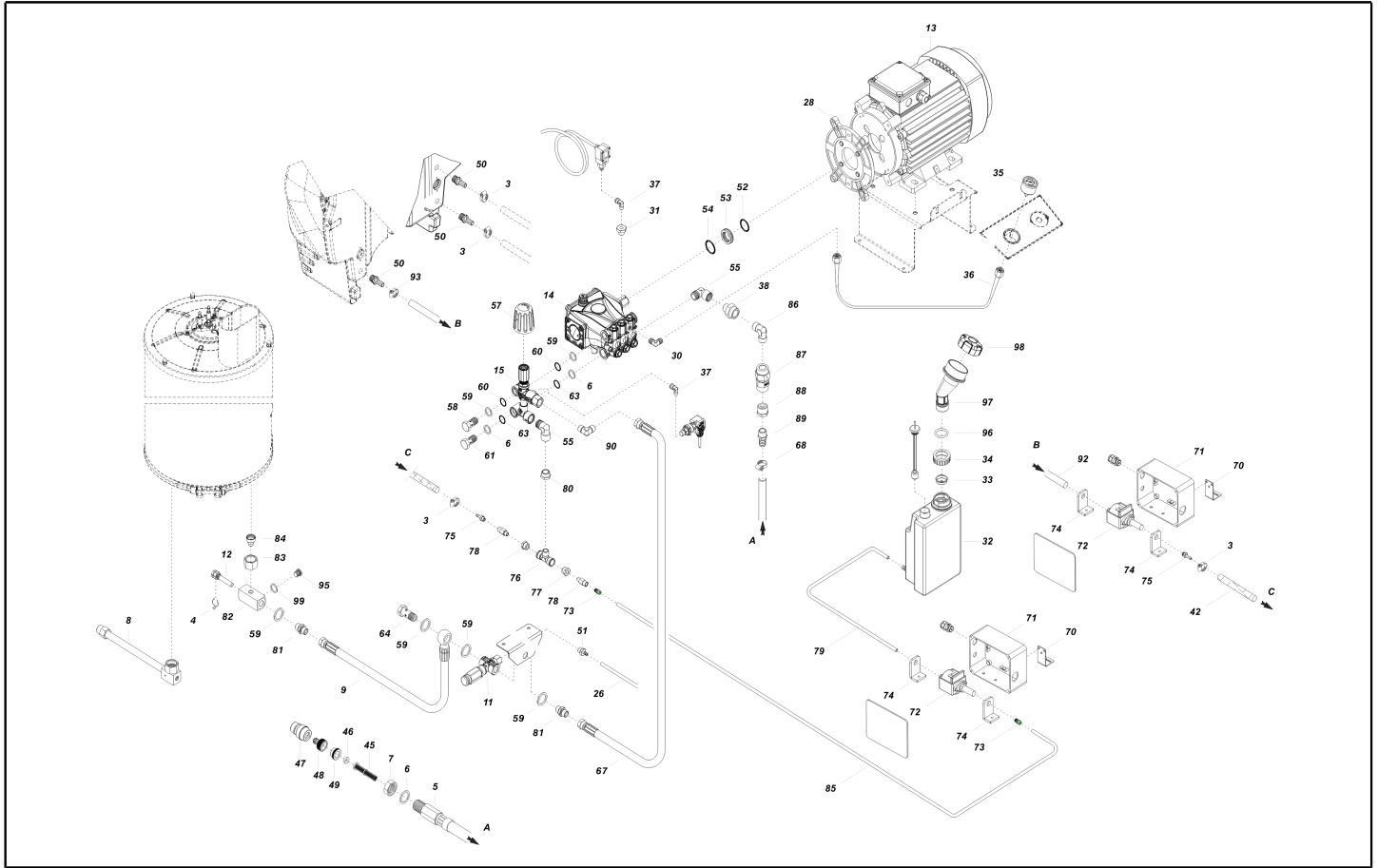
Ref. K	Part N.	Part N. 2	Description	Quantity	Validity		Price
					From	To	
0001	LAFN40761	N/A	CHASSIS PW-H50/7.5-4W BK.	1,00			--
0002	RTRT40067	N/A	WHEEL D.300-D.25 FLY-IPC/2 RED	2,00			--
0003	VTRS09813	N/A	WASHER D.25	4,00			--
0005	MEVR20906	N/A	CABLE CLAMP KSM	1,00			--
0006	LAFN40752	N/A	MOTOR SUPPORT PW-H100 ZC.	1,00			--
0007	LAFN41355	N/A	SUPPORT PW-H61/7.5 AN.ZC.	1,00			--
0007	LAFN40685	N/A	SUPPORT PW-H35/7.5 PS.ZC.	1,00		31/05/2023	--
0007	LAFN41369	N/A	SUPPORT PW-H61 PS.ZC.	1,00	01/06/2023		--
0009	LAFN40835	N/A	BRACKET PW-H35 PM.2 ZC	1,00			--
0010	MPVR41220	N/A	BLACK COVER PW-H101 INF.PP	1,00			--
0012	PVVR11806	N/A	DISCHARGE CAP FLL	2,00			--
0013	MPVR41257	N/A	BOX COVER PW-H Plus ABS BK.	1,00			--
0014	MPVR41270	N/A	CONTROL BOX PW-H101/61 VALUE C/F ABS	1,00			--
0015	GUGO25527	N/A	O-RING D. 14 X 3 NBR 70SH	2,00			--
0016	MPVR23482	N/A	TAIL PIECE TEC. TUV	1,00			--
0018	MPVR41903	N/A	THICKNESS TERM.IM.PA66	1,00			--
0019	LAFN46067	N/A	SUPPORT L.60 P176	2,00			--
0020	MPVR40542	N/A	ANT. PANEL PW-H35 ABS BK.	1,00			--
0021	LAFN40922	N/A	JUNCTION BOARD PW-H35 D.14 ZC.	1,00			--
0022	MPVR49057	N/A	BLACK KNOB P176-M.RACE PA6	2,00			--
0023	MPVR40735	N/A	HUB CAP D.50 G-48/IPC RD.	4,00			--
0024	VTVR40048	N/A	HANDWHEEL M 5MAX10 THP20	1,00			--
0024	FSVR62795	N/A	PLATE DI FISSAGGIO RPD0074	2,00			--
0024	MPVR41249	N/A	RED COVER PW-H61 SUP. PP RD.	1,00			--
0025	MPVR40485	N/A	RUBBER PW-H35 15-20BK.	1,00			--
0025	MPVR40534	N/A	PIN PW-H35 PP BK.	2,00			--
0026	MPVR41227	N/A	DOOR PW-H61 PPL NT.	1,00			--
0027	MPVR41225	N/A	DOOR PW-H61 PPL NERO	1,00			--
0028	MPVR41226	N/A	DOOR PW-H61 PPL NERO	1,00			--
0029	MPVR40532	N/A	DOOR PW-H35 PPL BK.INF.	1,00			--
0030	MPVR40533	N/A	TOOL HOLDER PW-H35 PP BK.	1,00			--
0031	MPVR45426	N/A	TANK CAP P176 PEHD	2,00			--
0032	LCLC40008	N/A	LANCE SF-IX/PU 900 +AR3-K +1/4F	1,00			--
0033	UGLN49987	N/A	NOZZLE LECH 1/4 15045	1,00			--
0034	IPIP40022	N/A	GRIP G 6000+AT.AR4-K +SW.M 2V.	1,00			--
0035	TBAP40312	N/A	H.P. HOSE 5/16 250B 15MT 2 IRV 150°	1,00			--
0036	ETET41549	N/A	LABEL PW-H101/61 INF.	1,00			--
0037	ETET41204	N/A	LABEL PW-H35.RUNNER IDR.Cp.F.	1,00			--
0038	GUGO11489	N/A	GASKET D.22X1.5	2,00			--
0039	MPVR20187	N/A	RING NUT M 39 X 3	2,00			--
0040	VTVT14480	N/A	SCREW TE M 8X80 ZINC. UNI	1,00			--
0041	MLML11917	N/A	SPRING D. 14.5 X24 X2.2	1,00			--
0042	MPVR40751	N/A	TRIGGER H28/4W	1,00			--
0043	LAFN40762	N/A	BRACKET PW-H50/4W BK.	1,00			--



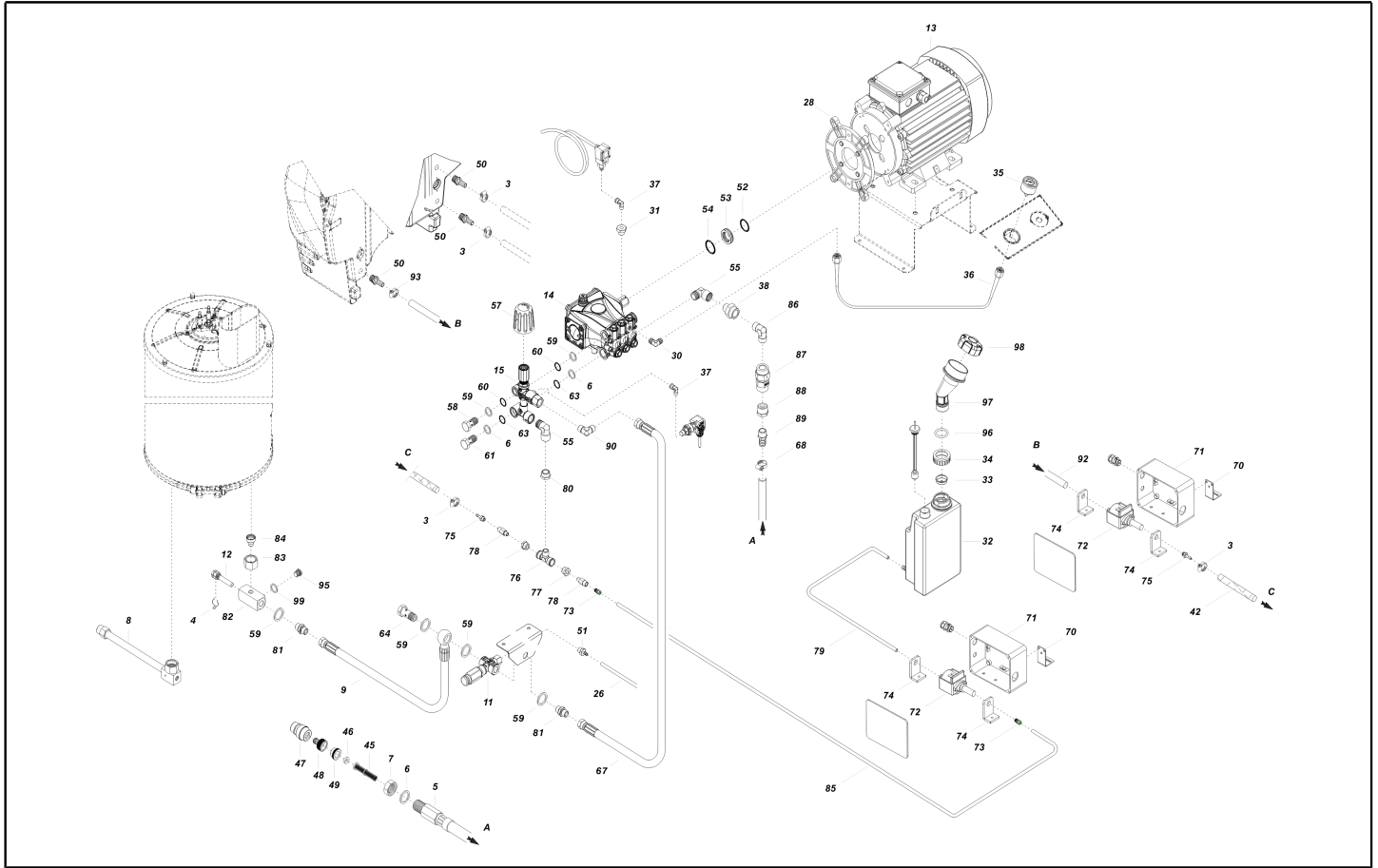
Ref. K	Part N.	Part N. 2	Description	Quantity	Validity		Price
					From	To	
0044	VTDD00492	N/A	NUT M 8 ZINC	1,00			--
0045	LAFN40609	N/A	FOOT PW-H35/4W	1,00			--
0047	MPVR41253	N/A	PROTECTION PW-H PLUS POLIC.	1,00			--
0049	RTRT40069	N/A	WHEEL D.250-D.25X 65 IPC/2 RED	2,00			--
0050	LAFN40749	N/A	SUPPORT BRACKET PW-H100 ANT.	1,00			--
0051	LAFN40751	N/A	SUPPORT BRACKET PW-H100 LAT.	1,00			--
0060	MPVR28554	N/A	CABLE FASTNER ELT	2,00			--
0062	MPVR40701	N/A	HOSE SUPPORT PW-H35 PP BK.	1,00			--
0065	MEVR40294	N/A	CLIP HE.TYTON	2,00		30/06/2023	--
0066	MEVR40326	N/A	CLIP D. 6.00 DB. BK	2,00	01/07/2023		--
0066	MEVR40027	N/A	CLIP D. 6.35 DB.	1,00		30/06/2023	--
0070	LAFN40746	N/A	SUPPORT BRACKET PW-H100 ZC.	1,00			--
0071	GUGO40120	N/A	GASKET 248x 75 x2 POR300/60	1,00			--
0073	MPVR41229	N/A	PIN PW-H61 EST.PP BK	2,00			--
0074	MPVR41230	N/A	PIN PW-H61 INT.PP BK	2,00			--
0077	LAFN40921	N/A	PLATE PW-H35 D.14 ZC.	1,00			--
0080	ETET41545	N/A	LABEL PW-H61 VALUE SUP.	1,00			--
0083	GUGO01056	N/A	O-RING D. 18.72 X 2.62 NBR 70SH	1,00			--
0084	GUGO01197	N/A	O-RING D. 22.22 X 2.62 NBR 70SH	1,00			--
0085	GUGO40074	N/A	O-RING D. 37.47 X 5.34 NBR 70SH	2,00	01/06/2023		--
0086	MPVR40924	N/A	CAP PW-H35 PVC.BK	1,00			--
0088	MPVR41243	N/A	CABLE BRACKET PW-H PP	1,00			--
0089	LAFN40747	N/A	VALVE BRACKET SIC. PW-H100 ZC	1,00			--



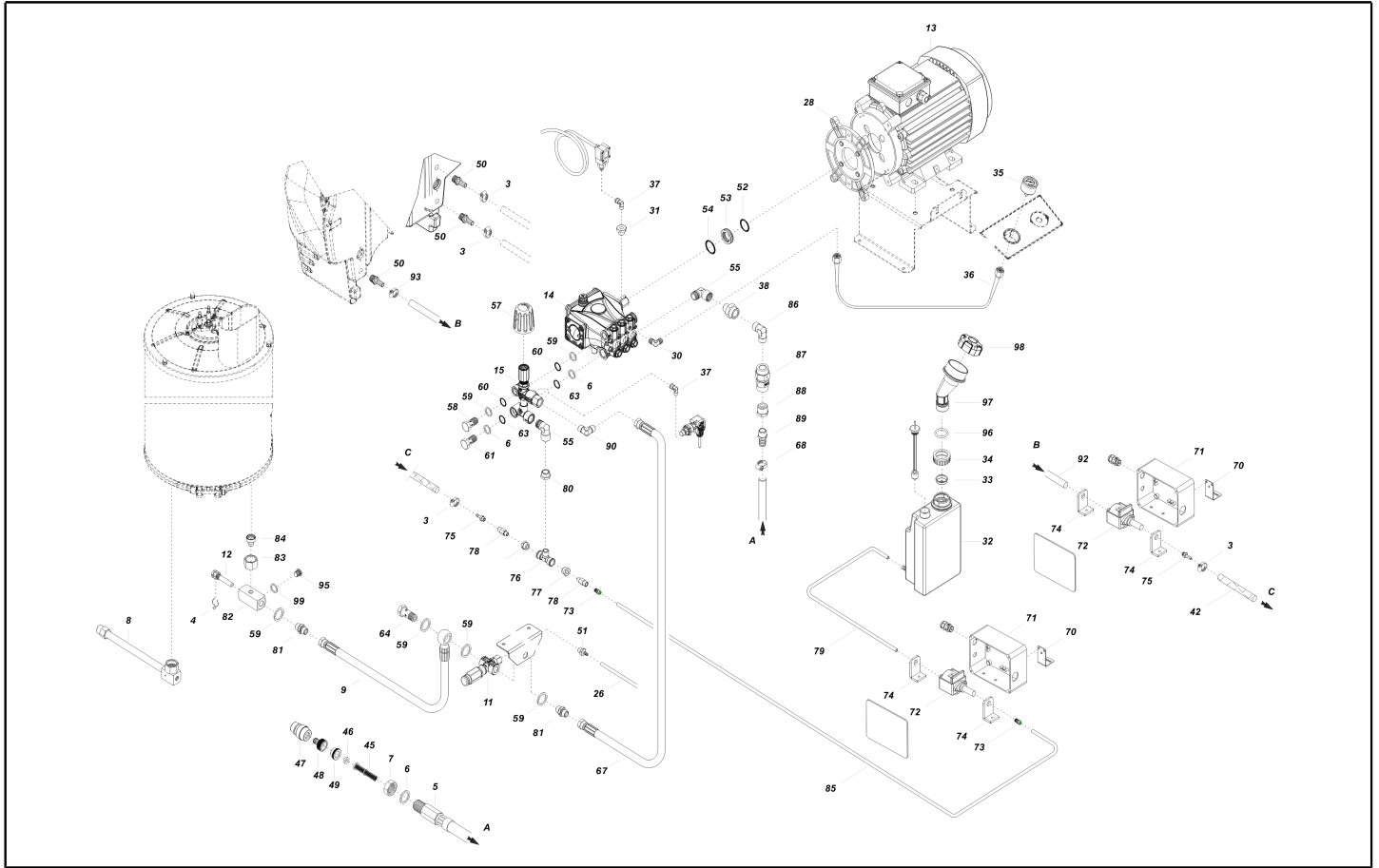
Ref. Part N.	Part N. 2	Description	Reference	Price
KTRI40415		KIT P 20- 4 POT. VSH P11 PW-H	POT 0017 0018 0053 0054 0055	--



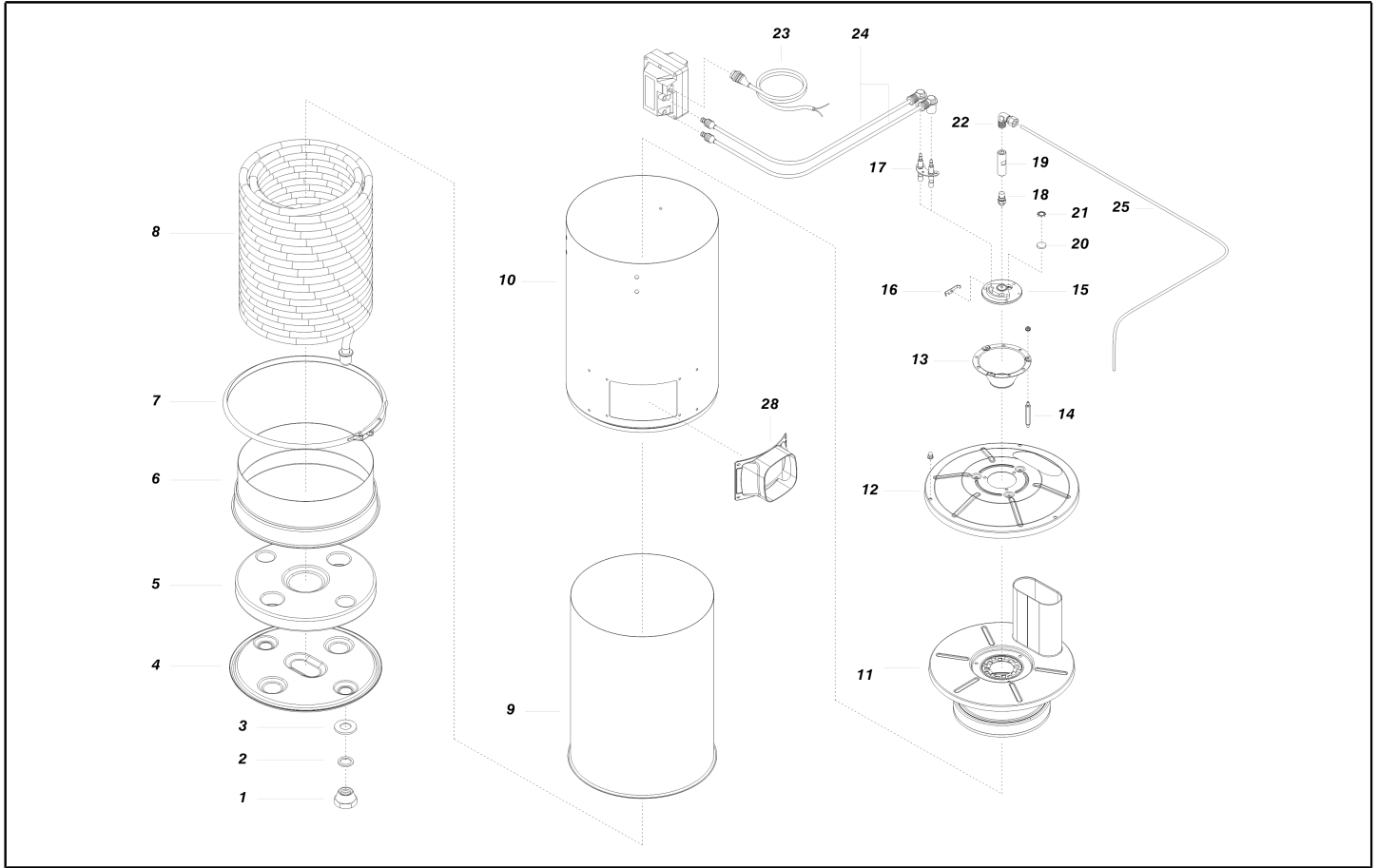
Ref. K	Part N.	Part N. 2	Description	Quantity	Validity		Price
					From	To	
0003	FSVR00427	N/A	CLAMP D. 12 CLIC 66-110	3,00			--
0004	MLML02623	N/A	SPRING IMT	1,00			--
0005	TBBP40178	N/A	L.P. HOSE L=890 1/2M 0°	1,00			--
0006	VTRS00549	N/A	WASHER D.21,5X27X1.5 (1/2) RM	1,00			--
0007	RCDS49875	N/A	RING NUT 1/2" X 6 CH.27 OT.	1,00			--
0008	KTRI40386	N/A	KIT P 13- 14 PW-H50/PM NTC	1,00			--
0008 S	RCDS21118	N/A	CONNECTOR KSM	1,00			--
0008 S	RCDS21119	N/A	NUT KSM	1,00			--
0008 S	RCDS40164	N/A	CONNECTOR L=285 2X3/8M CN. ZC.	1,00			--
0008 S	RCIN03753	N/A	MALE COUPLING M22-3/8 M-FA	1,00			--
0008 S	RCDS40333	N/A	CONNECTOR G 3/8F -1/4 +M14X1 H101	1,00			--
0009	TBAP40265	N/A	HOSE-FITTING 3/ 8 R2 L=405 3/8OC -3/8F	1,00			--
0011	VVSC40033	N/A	VALVE SVT40 400B. LT.25 G 3/8"	1,00			--
0012	RCDS00593	N/A	SUMP IM 0-120 L=50	1,00			--
0013	MOTR40053	N/A	3PH MOTOR H35 HP7.5 23-400/50k RR/K	1,00			--
0014	PPAP40150	N/A	PUMP RR 15.20 DX N 2V.	1,00			--
0015	VVAZ40062	N/A	VALVE VRF-2 AR-R AF S/I. RG	1,00		31/05/2023	--
0015	VVAZ40093	N/A	VALVE VRF-2 AR-R AC PPr S/I.RG	1,00	01/06/2023		--
0026	TBBP93804	N/A	L.P. HOSE D. 6- 9	0,40			--
0028	MFVR21309	N/A	COUNTERFLANGE MEC 90-100-112	1,00			--
0030	RCVR12430	N/A	ELBOW 1/4" M/M A15	1,00			--
0031	PVVR40175	N/A	CAP AR RR C/F. 1/8F+OR	1,00			--
0032	MPVR40698	N/A	TANK KSM C/PE.	1,00			--
0033	MPVR18582	N/A	CAP D.22	1,00			--
0034	MPVR40739	N/A	TANK CAP KSM D.36.2	1,00			--
0035	MNMN18650	N/A	PRESSURE GAUGE 0-300 D.40	1,00			--
0036	TBAP40113	N/A	POLYAMIDE HOSE L=420 1/4F GR.-1/8F MN.	1,00			--
0037	RCDS40176	N/A	ELBOW 1/8" M/F CN. L=24 OT.	2,00	01/06/2023		--
0037	RCDS40176	N/A	ELBOW 1/8" M/F CN. L=24 OT.	1,00		31/05/2023	--
0038	RCVR02594	N/A	SLEEVE 1/2 M/F A5	1,00			--
0042	TBBP00051	N/A	DETERGENT HOSE D. 6-12	0,40			--
0045	FTAC30214	N/A	FILTER D.15X67	1,00			--
0046	GUGO37736	N/A	GASKET D. 10- 19 X 5 70SH	1,00			--
0047	RCVR29600	N/A	SOCKET PTC 3/4 F	1,00			--
0048	RCVR29602	N/A	CONNECTOR D. 1/2"-5/8" PTC	1,00			--
0049	RCVR37806	N/A	REDUCTION PTC 3/4-1/2 M/F	1,00			--
0050	RCVR40113	N/A	HOSE FITTING 1/8 M D. 5- 7 NIK	2,00			--
0051	RCDS03514	N/A	HOSE FITTING 3/8 M D. 5- 7	1,00			--
0052	GUGO21339	N/A	O-RING D. 29.82 X 2.62 VIT 70SH	1,00			--
0053	RCDS25578	N/A	BUSHING IP WW141 OT.	1,00			--
0054	GUGO21337	N/A	O-RING D. 25.07 X 2.62 VIT 70SH	1,00			--
0055	RCVR00575	N/A	ELBOW 1/2" M/F A10	2,00			--
0057	MPVR41241	N/A	BLACK KNOB VRF-2 IPC	1,00			--
0058	RCDS40172	N/A	SCREW 3/8 VRF-2 OT 4F.	1,00			--



Ref. K	Part N.	Part N. 2	Description	Quantity	Validity		Price
					From	To	
0059	VTRS00548	N/A	WASHER D.17,5X23X1,5 (3/8)RM	1,00			--
0060	GUGO03510	N/A	O-RING D. 12.37 X 2.62 NBR 70SH	2,00			--
0061	RCDS40171	N/A	SCREW G 1/2 VRF-2 OT. 2F.	1,00			--
0063	GUGO01048	N/A	O-RING D. 15.88 X 2.62 NBR 70SH	2,00			--
0064	RCDS01371	N/A	SCREW G 3/8 A.P.	1,00			--
0067	TBAP40288	N/A	HOSE-FITTING 5/16 250b L=360 0-0° 3/8F	1,00	01/06/2023		--
0067	TBAP40174	N/A	HOSE-FITTING 5/16 R2 3/8OC. -3/8F 0°	1,00		31/05/2023	--
0068	FSVR00431	N/A	CLAMP D. 16-25	1,00			--
0070	LAFN41352	N/A	SUPPORT DET.PUMP. PW-H101 ZN	1,00			--
0070	LAFN41352	N/A	SUPPORT DET.PUMP. PW-H101 ZN	1,00			--
0071	MEVR40323	N/A	CONTROL BOX GER. 150X110X75 H61/101	1,00			--
0071	MEVR40323	N/A	CONTROL BOX GER. 150X110X75 H61/101	1,00			--
0072	PPEL40002	N/A	PUMP BY-P.230V E 505/OT 1/8"F	1,00			--
0073	RCVR14043	N/A	CONNECTOR DTT 1/8"M C1 D. 6/ 4 NIK	1,00			--
0073	RCVR14043	N/A	CONNECTOR DTT 1/8"M C1 D. 6/ 4 NIK	1,00			--
0074	ABGO00010	N/A	SUPPORT ANTIVIBRANTE POMPA L15-20	2,00			--
0075	RCDS21900	N/A	HOSE FITTING 1/8 M D. 3- 7	1,00			--
0075	RCDS21900	N/A	HOSE FITTING 1/8 M D. 3- 7	1,00			--
0076	RCVR40121	N/A	CONNECTOR TEE 3/8 F/M/F A12	1,00			--
0077	RCVR03760	N/A	REDUCTION 3/8-1/8 M/F	2,00			--
0078	VVSF43615	N/A	VALVE 1/8M-F OT. VIT. 250°C	2,00			--
0079	TBBP85832	N/A	L.P. HOSE D. 5- 8	0,33			--
0080	RCVR02605	N/A	REDUCTION 1/2-3/8 M/F	1,00			--
0081	RCDS00610	N/A	NIPPLE 3/8 - 3/8 SV	1,00			--
0081	RCDS00610	N/A	NIPPLE 3/8 - 3/8 SV	1,00			--
0082	RCDS40323	N/A	CONNECTOR G 1/2F -3/8F +2xG1/4F 30	1,00			--
0083	RCDS21119	N/A	NUT KSM	1,00			--
0084	RCDS21118	N/A	CONNECTOR KSM	1,00			--
0085	TBBP11756	N/A	L.P. HOSE D. 4- 6 RILSAN NTR	0,26			--
0086	RCVR40153	N/A	ELBOW 3/4"-1/2" M OT.	1,00			--
0087	VVSF40026	N/A	VALVE 3/4 F/F CK100 220bar	1,00			--
0088	RCVR40042	N/A	REDUCTION 3/4-1/2 M/F NIK	1,00			--
0089	RCVR73008	N/A	HOSE FITTING 1/2 D.17 454/A	1,00			--
0090	RCVR40590	N/A	ELBOW 3/8" M A.P. OT.MTM	1,00	01/06/2023		--
0092	TBBP93804	N/A	L.P. HOSE D. 6- 9	0,35			--
0093	FSVR11957	N/A	CLAMP D. 9,5-12 CLIC	1,00			--
0095	RCVR00659	N/A	CAP 1/4 M	1,00			--
0096	GUGO89386	N/A	O-RING D. 30 X 5 NBR 70SH	1,00			--
0097	MPVR41240	N/A	MANIFOLD A.CLCL PW-H61 PP NT.	1,00			--
0098	MPVR40187	N/A	TANK CAP P215 PEHD C/F.	1,00			--
0099	VTRS04931	N/A	WASHER COPPER D.13X19X1.5	1,00			--

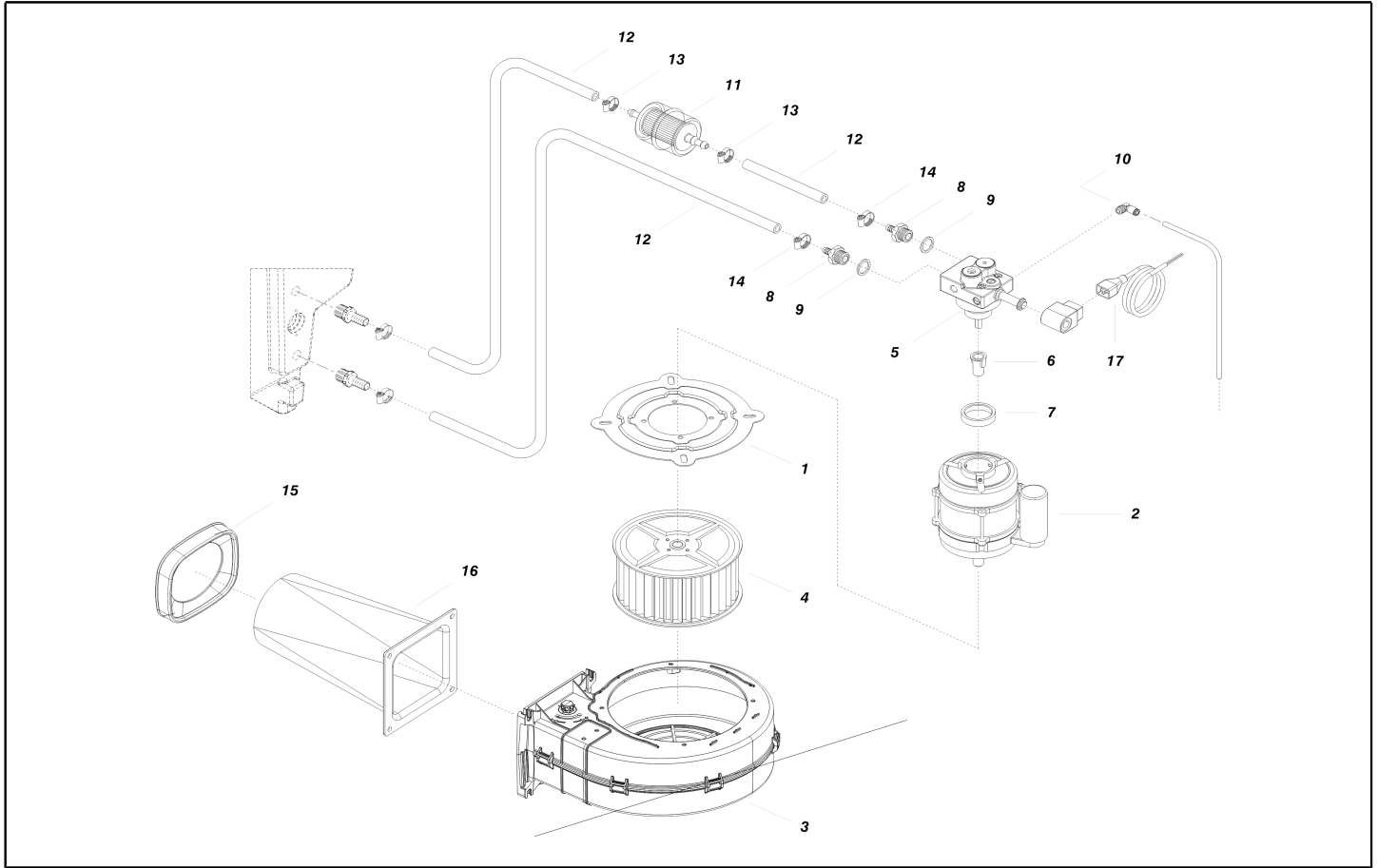


Ref. Part N.	Part N. 2	Description	Reference	Price
0008 KTRI40386		KIT P 13- 14 PW-H50/PM NTC	0008 0008 0008 0008 0008 0008 0008	--



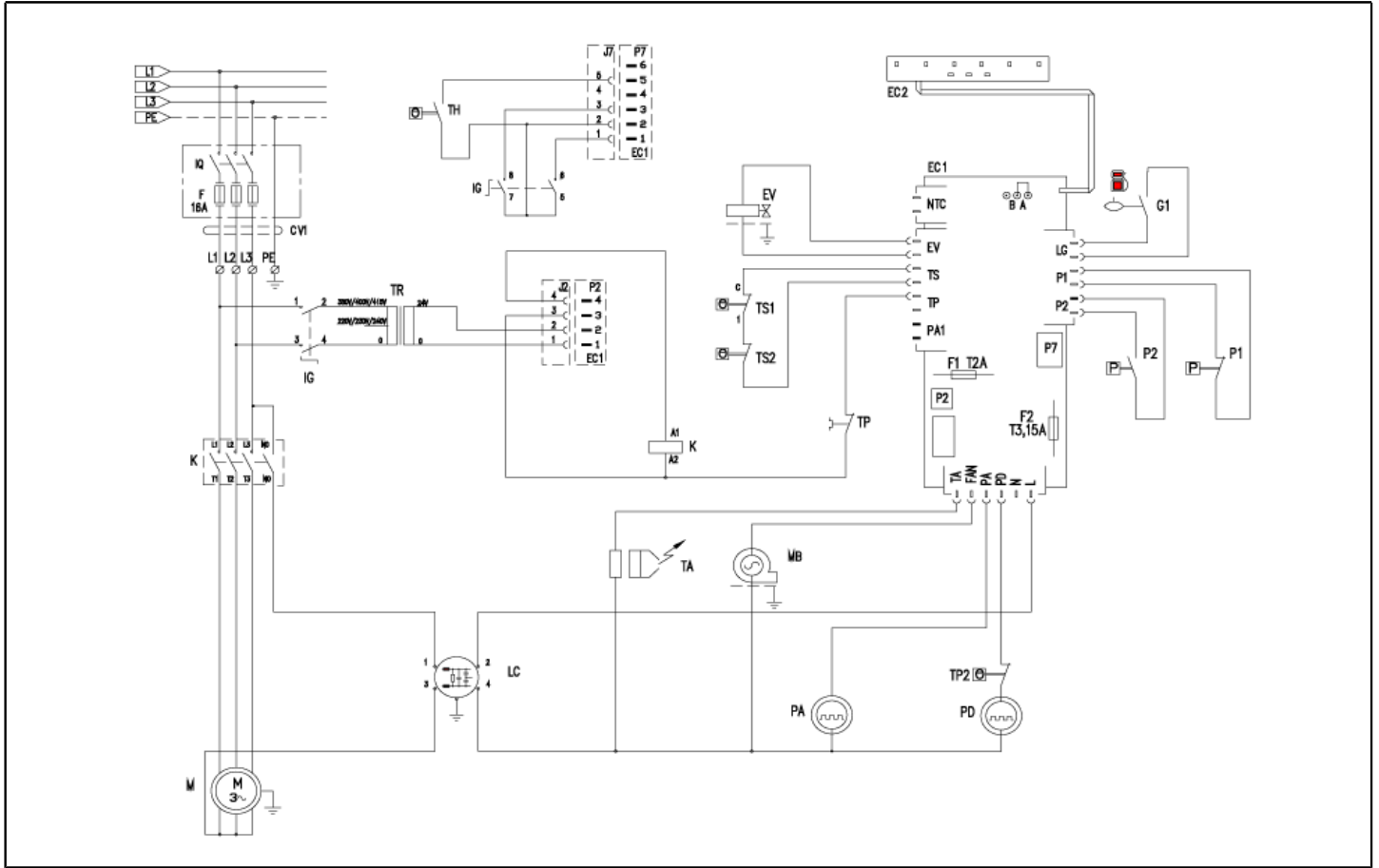
Ref. K	Part N.	Part N. 2	Description	Quantity	Validity		Price
					From	To	
0001	RCDS21120	N/A	RING NUT M 26 X 1,5	2,00			--
0002	GUGO21222	N/A	O-RING D. 15.54 X 2.62 VIT 80SH	2,00			--
0003	GUVR21021	N/A	ANTI-EXTR.RING D. 21 X17 TEF.	2,00			--
0004	LAFN44149	N/A	BOILER BOTTOM P176	1,00	15/06/2023		--
0004	LAFN44149	N/A	BOILER BOTTOM P176	1,00		14/06/2023	--
0005	ITTE44175	N/A	BOTTOM P176 C.TE	1,00	15/06/2023		--
0005	ITTE44175	N/A	BOTTOM P176 C.TE	1,00		14/06/2023	--
0006	LAFN44151	N/A	BAND P176 INX	1,00	15/06/2023		--
0006	LAFN44151	N/A	BAND P176 INX	1,00		14/06/2023	--
0007	LAFN40037	N/A	RING D.342 P176 ZN 2V.CPL.	1,00	15/06/2023		--
0007	LAFN40037	N/A	RING D.342 P176 ZN 2V.CPL.	1,00		14/06/2023	--
0008	LAGR48101	N/A	DOUBLE COIL M26X1.5 P176 30MT. SP.2.6	1,00	15/06/2023		--
0009	LASL40101	N/A	INT. CYLINDER PM INX	1,00	15/06/2023		--
0009	LASL40101	N/A	INT. CYLINDER PM INX	1,00		14/06/2023	--
0010	LAFN40688	N/A	EXT. CYLINDER PM-H35/7.5 INX	1,00		14/06/2023	--
0010	LAFN41372	N/A	EXT. CYLINDER PM-H61/7.5 INX	1,00	15/06/2023		--
0011	LAFN40269	N/A	BOILER COVER SI PM INX	1,00	15/06/2023		--
0011	LAFN40269	N/A	BOILER COVER SI PM INX	1,00		14/06/2023	--
0012	LAFN40270	N/A	BOILER COVER SE PM INX	1,00	15/06/2023		--
0012	LAFN40270	N/A	BOILER COVER SE PM INX	1,00		14/06/2023	--
0013	LAFN44244	N/A	BAFFLE P176 30M INX	1,00	15/06/2023		--
0013	LAFN44244	N/A	BAFFLE P176 30M INX	1,00		14/06/2023	--
0014	LAFN40271	N/A	PIN CH.10 X 67.7 M5M/M5M PM	3,00	15/06/2023		--
0014	LAFN40271	N/A	PIN CH.10 X 67.7 M5M/M5M PM	3,00		14/06/2023	--
0015	MFVR18226	N/A	ELECTR.HOLDER FUT 3°V	1,00			--
0016	LAFN07641	N/A	PLATE INX	1,00			--
0017	MECA12525	N/A	ELECTRODE FUT	1,00			--
0018	UGBR22576	N/A	BURNER NOZZLE 1.35 60 S	1,00			--
0019	RCDS07642	N/A	NOZZLE HOLDER FUT	1,00			--
0020	MPVR18228	N/A	OIL WARN-LIGHT D.17 X3	1,00			--
0021	VTAE22633	N/A	SEEGER 0.4 X18,30X10,5	1,00			--
0022	RCVR40228	N/A	CONNECTOR L 1/8" M D. 4 +OR NBR N	1,00			--
0023	MECB34463	N/A	CABLE BT L=800 SP. FD	1,00			--
0024	MECV35335	N/A	CABLE A.T. 9.8-23KOHM/M L= 500P	2,00			--
0025	TBBP00123	N/A	TUBE RILSAN D. 2- 4 NT.	0,85			--
0028	MPVR88426	N/A	CONVEYOR P176 PA6 BK.	1,00	15/06/2023		--



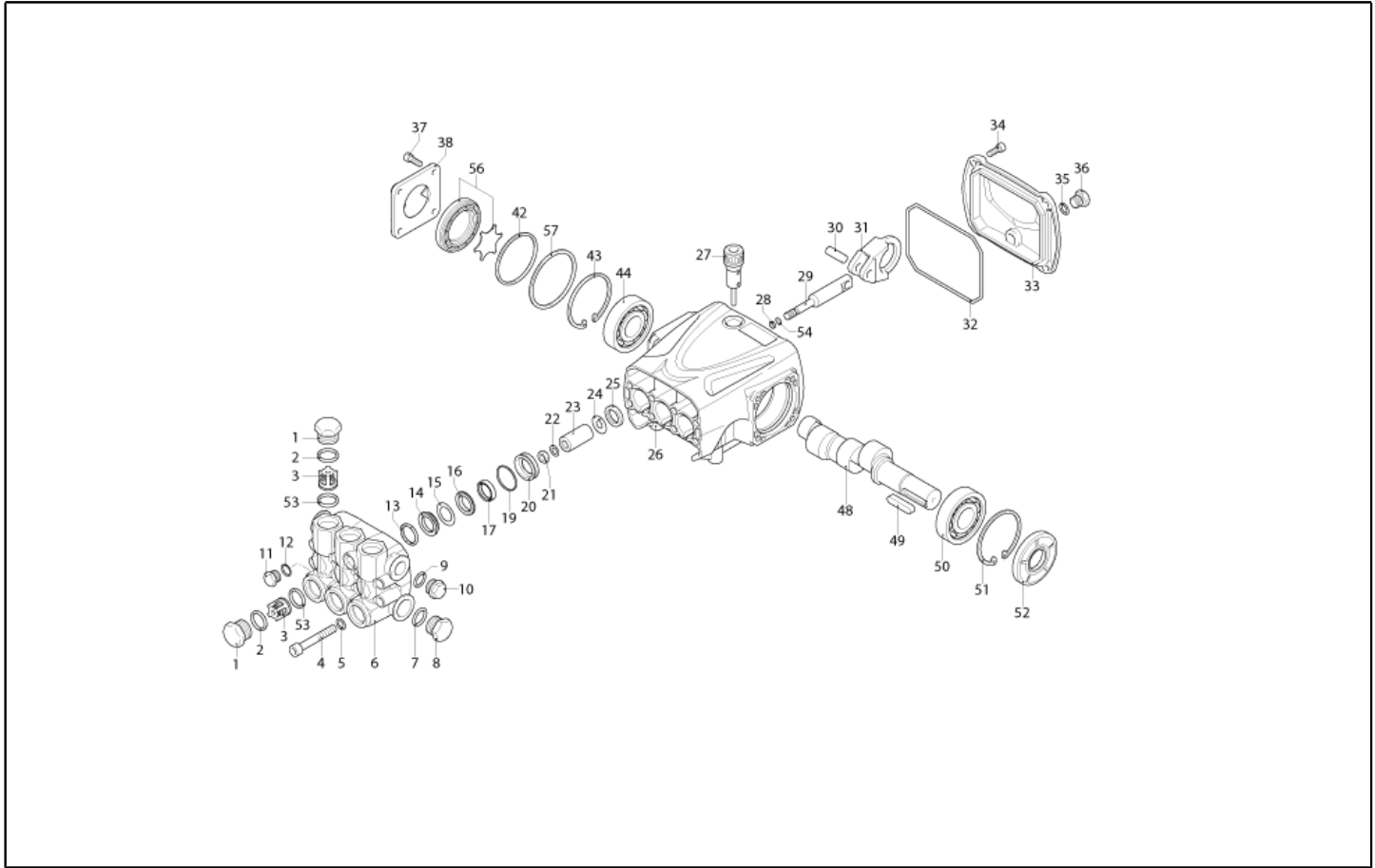


Ref. K	Part N.	Part N. 2	Description	Quantity	Validity		Price
					From	To	
0001	LAFN10272	N/A	MOTOR PLATE CB 3	1,00			--
0002	MOMB34119	N/A	BURNER MOTOR 230-50 IP44 150W A.OR	1,00			--
0003	MPVR40665	N/A	SCROLL CB4 -2PZ.GR.	1,00			--
0004	VEVR34275	N/A	IMPELLER D.160-80 D.12.7 36P B.SX	1,00			--
0005	PPGS40010	N/A	FUEL PUMP DNF BFA 01L3R1	1,00			--
0006	FGGT36513	N/A	JOINT HP 0.25 AACO	1,00			--
0007	GUGO40062	N/A	GASKET PW-H100 MOT.BR.	1,00			--
0008	RCDS00626	N/A	HOSE FITTING 1/4 M D. 5- 7	1,00			--
0009	VTRS04931	N/A	WASHER COPPER D.13X19X1,5	1,00			--
0010	RCVR40228	N/A	CONNECTOR L 1/8" M D. 4 +OR NBR N	1,00			--
0011	FTCO10912	N/A	FILTER FB 13/T NYL.	1,00			--
0012	TBCO06945	N/A	L.P. HOSE D. 6-12 10BAR C.PRESS	0,11			--
0012	TBCO06945	N/A	L.P. HOSE D. 6-12 10BAR C.PRESS	1,00			--
0013	FSVR11197	N/A	CLAMP D.12.9-13.6	2,00			--
0014	FSVR00427	N/A	CLAMP D. 12 CLIC 66-110	1,00			--
0015	GUGO40118	N/A	GASKET PW-H EPDM	1,00	15/06/2023		--
0016	MPVR40766	N/A	CONVEYOR CB4-H100 PA6	1,00	15/06/2023		--
0017	MECB46130	N/A	CABLE DLT L=1100	1,00			--

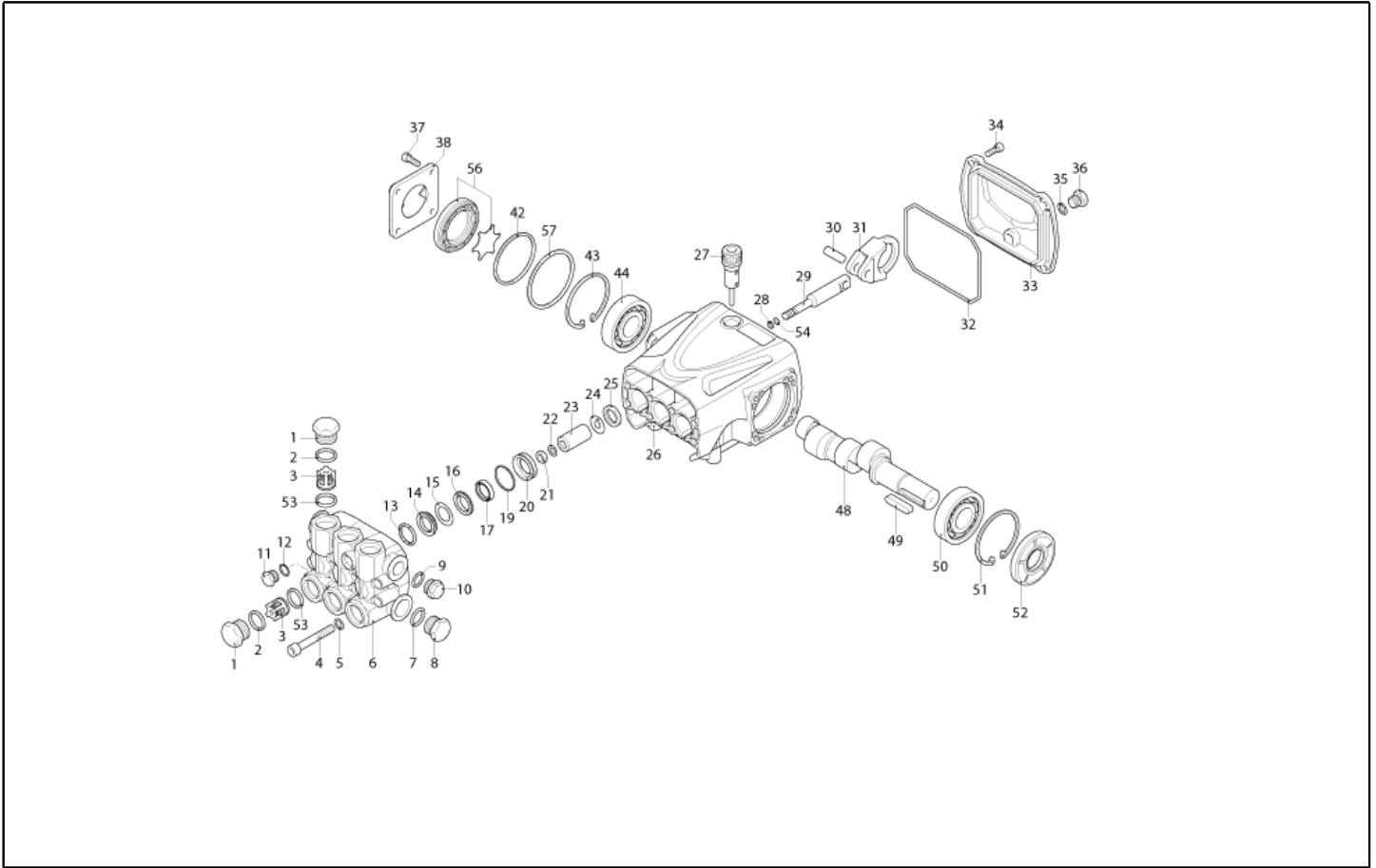




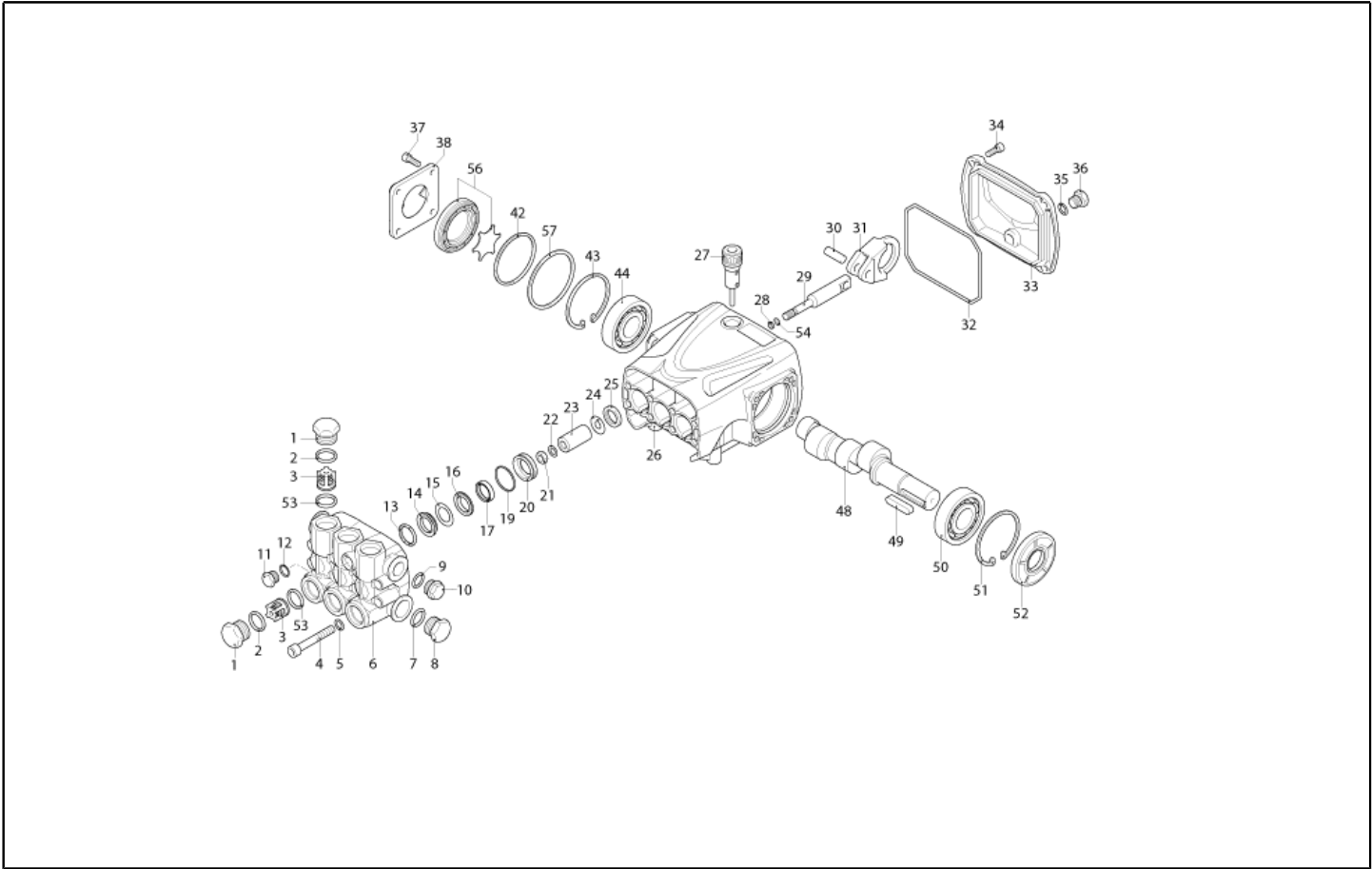
Ref. Part N.	Part N. 2	Description	Reference	Price
POT KTRI40415	KIT P 20- 4 POT. VSH P11 PW-H		POT 0017 0018 0053 0054 0055	--



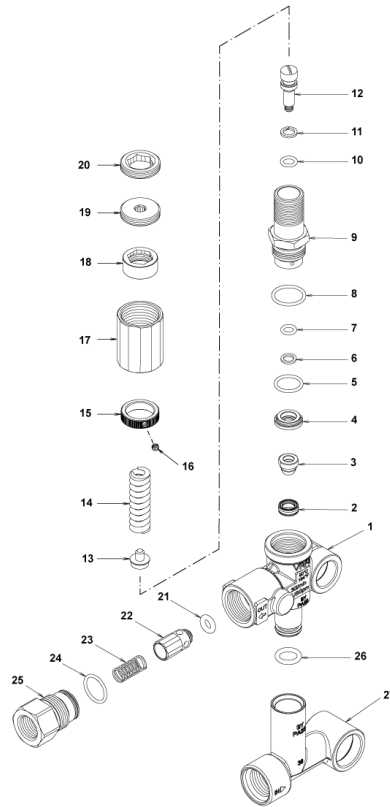
Ref. K	Part N.	Part N. 2	Description	Quantity	Validity		Price
					From	To	
0001	PVVR40161	N/A	CAP AR RR	6,00			--
0002	GUGO03502	N/A	O-RING D. 17.86 X 2.62 NBR 70SH	6,00			--
0003	S VVAM40003	N/A	VALVE UNIT RR	6,00			--
0004	VTVT63018	N/A	SCREW TCEI M 8X55 ZC U.5931	8,00			--
0005	VTRS14242	N/A	WASHER D. 8.4X13X0.8 UNI7064 SCH	8,00			--
0006	MFVR40028	N/A	HEAD AR RR OT.	1,00			--
0007	GUGO19245	N/A	O-RING D. 17.5 X 2 NBR 70SH	1,00			--
0008	PVVR40121	N/A	CAP 1/2 M RC	1,00			--
0009	GUGO09720	N/A	O-RING D. 14 X 1.78 NBR 70SH	1,00			--
0010	PVVR40099	N/A	CAP 3/8 M HRM	1,00			--
0011	PVVR40129	N/A	CAP 1/4 M RC	1,00			--
0012	GUGO01036	N/A	O-RING D. 10.82 X 1.78 NBR 70SH	1,00			--
0013	S PVVR40122	N/A	HEAD RING D. 18 RC	3,00			--
0014	S GUVR40035	N/A	PACKING D. 18 RC H.P.	3,00			--
0015	S GUVR40043	N/A	ANTI-EXTR.RING D.18X28	3,00			--
0016	S PVVR40162	N/A	INTERMED. RING D. 18 RR	3,00			--
0017	S GUVR40122	N/A	PACKING D. 18 RC L.P. 2V.	3,00			--
0019	S GUGO19290	N/A	O-RING D. 23.52 X 1.78 NBR 70SH	3,00			--
0020	S PVVR40565	N/A	PACKING RETAIN. D. 18 RR 2V.	3,00			--
0021	VTDD00483	N/A	NUT M 8 ZIN UNI 5588	3,00			--
0022	VTRS19394	N/A	WASHER D. 8X13X0.5	3,00			--
0023	S PIVR40007	N/A	PISTON D.18 RR	3,00			--
0024	PVVR19233	N/A	DISC XTS	3,00			--
0025	S GUGO09690	N/A	OIL SEAL 15X 24X 5 NBR70	3,00			--
0026	MFVR40030	N/A	PUMP CRANKCASE AR RR	1,00			--
0027	PVVR19231	N/A	OIL CAP XTS	1,00			--
0028	GUGO08071	N/A	O-RING D. 4.48 X 1.78 NBR 70SH	3,00			--
0029	PVVR40176	N/A	PISTON GUIDE RR	3,00			--
0030	PVVR40178	N/A	GUDGEON D. 9 RR	3,00			--
0031	BLVR40002	N/A	CONNECTING ROD RR	3,00			--
0032	GUGO40017	N/A	O-RING D. 107.62 X 2.62 NBR 70SH	1,00			--
0033	MFVR40029	N/A	CRANKCASE COVER AR RR	1,00			--
0034	VTVT09913	N/A	SCREW TCEI 6X16 UNI5931	4,00			--
0035	GUGO01036	N/A	O-RING D. 10.82 X 1.78 NBR 70SH	1,00			--
0036	PVVR40129	N/A	CAP 1/4 M RC	1,00			--
0037	VTVT09913	N/A	SCREW TCEI 6X16 UNI5931	4,00			--
0038	MFVR40021	N/A	CRANKCASE COVER AR RC LT.	1,00			--
0042	GUGO09030	N/A	O-RING 56X82 X2.62 - NBR	1,00			--
0043	VTAE10405	N/A	CIRCLIP D. 62 UNI 7437	1,00			--
0044	CUVR09654	N/A	BALL BEARING 6305	1,00			--
0048	ALMO40012	N/A	SHAFT AR RR 15LT VRS. N	1,00			--
0049	VTVR41531	N/A	KEY 8X 7X35 UNI 6604A	1,00			--
0050	CUVR09654	N/A	BALL BEARING 6305	1,00			--
0051	VTAE10405	N/A	CIRCLIP D. 62 UNI 7437	1,00			--



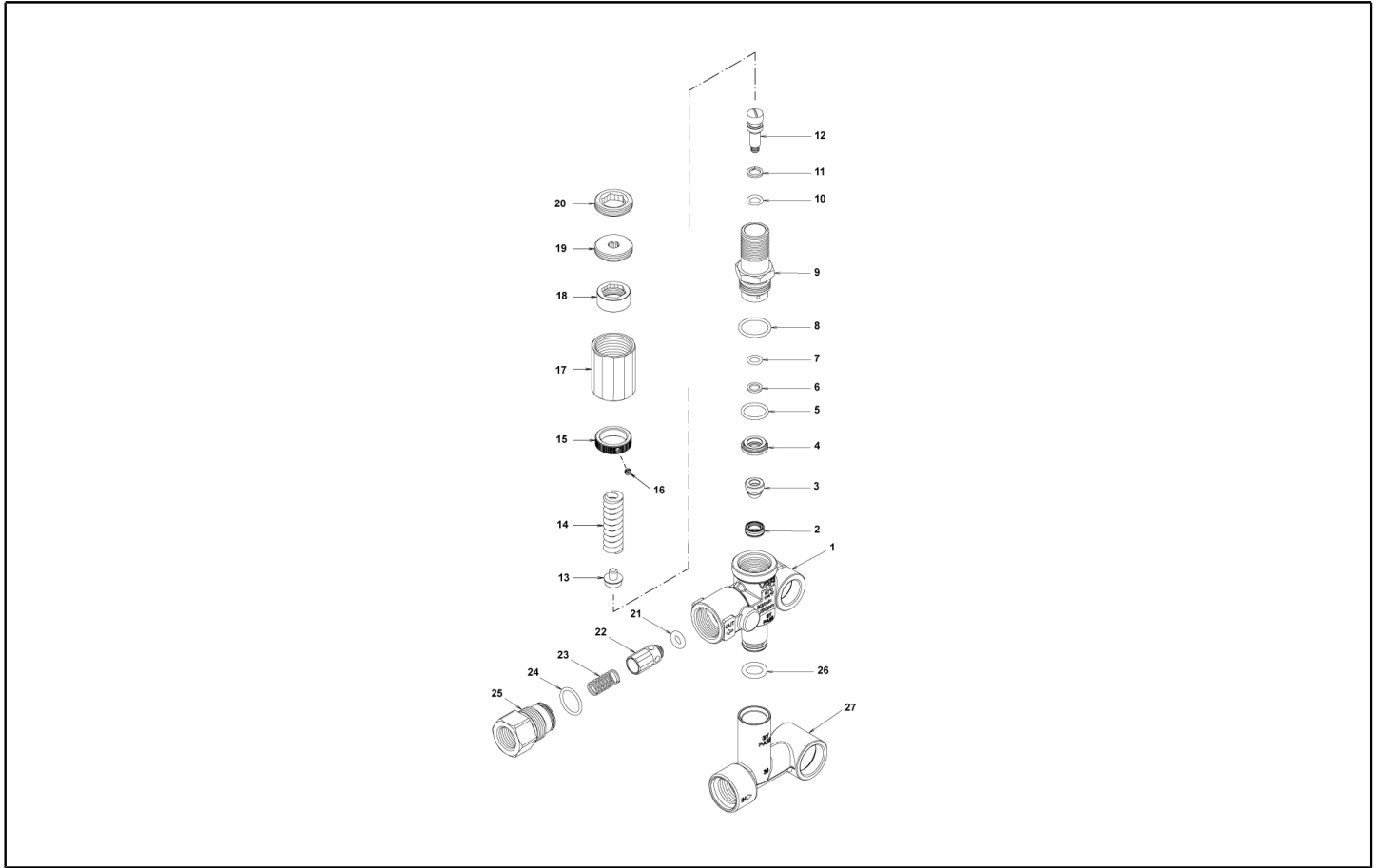
Ref. K	Part N.	Part N. 2	Description	Quantity	Validity		Price
					From	To	
0052	S	GUGO40018	N/A	OIL SEAL 25X 62X 8 NBR70	1,00		--
0053	S	GUGO02259	N/A	O-RING D. 15.54 X 2.62 NBR 70SH	6,00		--
0054		GUVR40044	N/A	ANTI-EXTR.RING D. 5 X 8 X1	3,00		--
0056		PVVR40473	N/A	OIL INDICATOR RR CPL.	1,00		--
0057		PVVR40566	N/A	RING D. 61.8 X57.8 X0.5	1,00		--



Ref. Part N.	Part N. 2	Description	Reference	Price
KTRI40095		KIT P 15-42903 D.18 RC	0013	--
KTRI40142		KIT P 15-42909 RR	0003 0053	--
KTRI40143		KIT P 15-42904 D.18 RR	0023	--
KTRI40144		KIT P 15-42922 RR	0025 0052	--
KTRI40515		KIT P 15-46146 D.18 RR 2V.	0014 0015 0017 0019	--
KTRI40516		KIT P 15-46147 D.18 RR 2V.	0016 0020	--
KTRI40517		KIT P 15-2008 D.18RR 2V.	0017 0019 0020	--

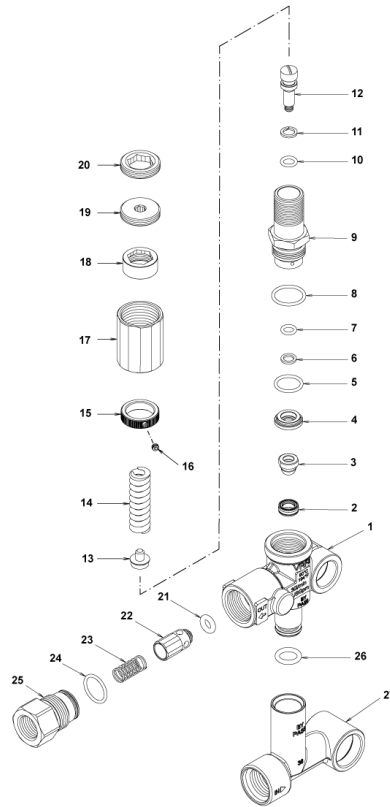


Ref. K	Part N.	Part N. 2	Description	Quantity	Validity		Price
					From	To	
0001	PVVR40362	N/A	VALVE BODY VRF2	1,00			--
0002	S PVVR40363	N/A	VALVE SEAT MV124 +OR	1,00			--
0003	S PVVR40364	N/A	COUPLING MV124	1,00			--
0004	S PVVR40365	N/A	SPACER MV124	1,00			--
0005	S GUGO12322	N/A	O-RING D. 14 X 1.78 NBR 90SH	1,00			--
0006	S GUVR40072	N/A	ANTI-EXTR.RING D. 6.5X 9.4	1,00			--
0007	S GUGO83861	N/A	O-RING D. 6.07 X 1.78 NBR 90SH	1,00			--
0008	S GUGO24913	N/A	O-RING D. 17.17 X 1.78 NBR 90SH	1,00			--
0009	S PVVR40388	N/A	CONNECTOR VRF2 RG.165 56A	1,00			--
0010	S GUGO03500	N/A	O-RING D. 6.75 X 1.78 NBR 70SH	1,00			--
0011	S GUVR40073	N/A	ANTI-EXTR.RING D. 7.1X10 X1.2 TBT	1,00			--
0012	S PVVR40367	N/A	SMALL PISTON D.10 VRF2	1,00			--
0013	S PVVR40368	N/A	SPRING PLATE MV124 25B	1,00			--
0014	S MLML47987	N/A	SPRING D. 3.25X41.1 MV 625	1,00			--
0015	S PVVR40369	N/A	RING NUT MV167.09	1,00			--
0016	S VTVT89696	N/A	SCREW EI-ST 4X 4 UNI5927 ZC	1,00			--
0017	S PVVR47989	N/A	CAP MV 625 REG.	1,00			--
0018	S PVVR47990	N/A	RING NUT MV 625 REG.	1,00			--
0019	S PVVR47991	N/A	REGISTER MV 625 REG.	1,00			--
0020	S PVVR47992	N/A	CLAMP MV 625 REG.	1,00			--
0021	S GUGO46053	N/A	O-RING D. 6 X 3 NBR 90SH	1,00			--
0022	PVVR40349	N/A	COUPLING VRT3	1,00			--
0023	MLML40026	N/A	SPRING VRT3	1,00			--
0024	S GUGO12321	N/A	O-RING D. 15.6 X 1.78 NBR 90SH	1,00			--
0025	PVVR40350	N/A	CONNECTOR VRT3 G 3/8F	1,00			--
0026	GUGO11225	N/A	O-RING D. 10.78 X 2.62 NBR 70SH	1,00			--
0027	PVVR40373	N/A	CONNECTOR VRF2.24	1,00			--

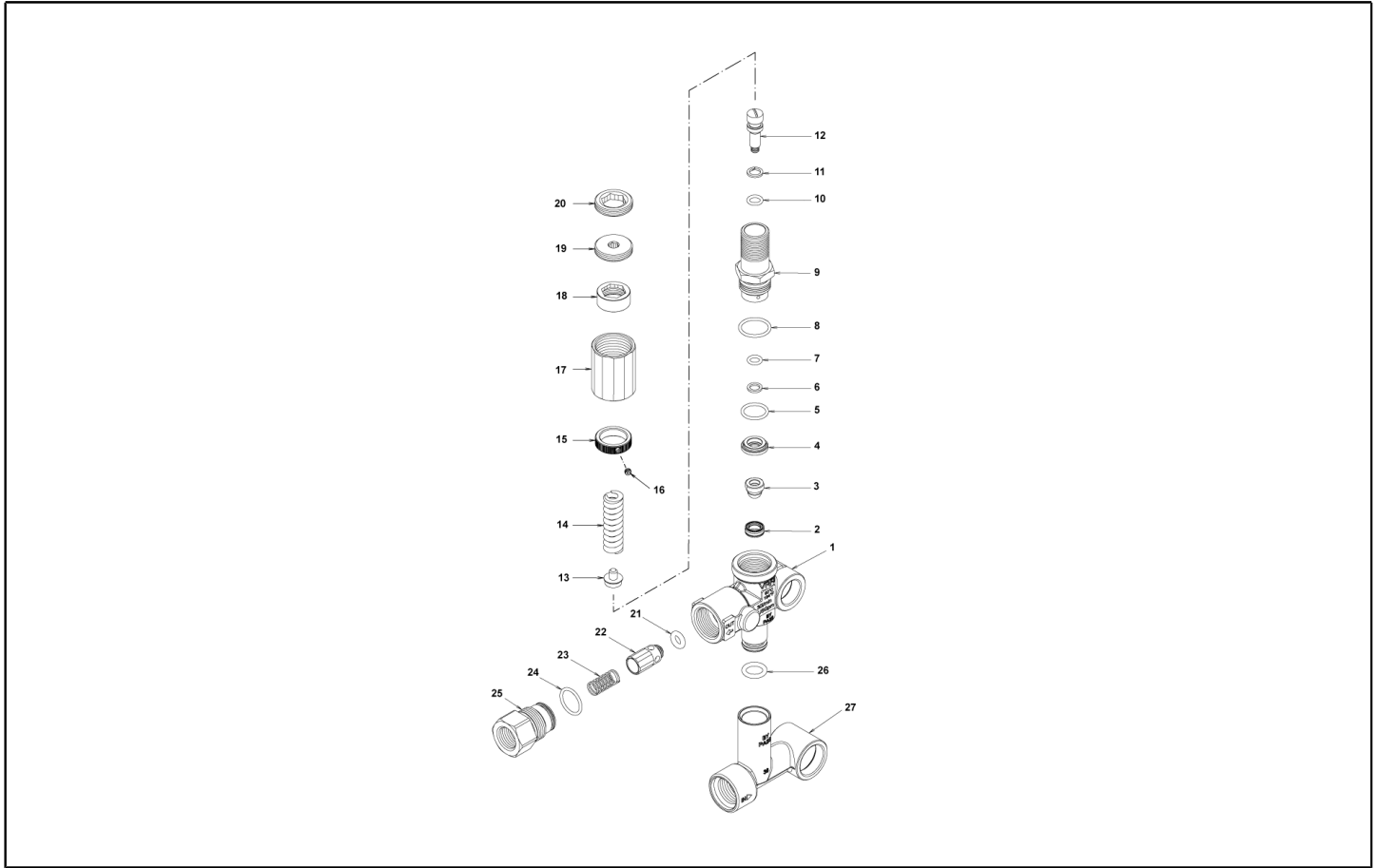


Ref. Part N.	Part N. 2	Description	Reference	Price
KTRI40256		KIT P 14-105 VRF2 Reg.	0002 0003 0004 0005 0006 0007 0008 0009 0010 0011 0012 0013 0014 0015 0016 0017 0018 0019 0020	--
KTRI40237		KIT P 14-104 SET GUARNIZIONI	0002 0003 0005 0006 0007 0008 0010 0011 0021 0024	--

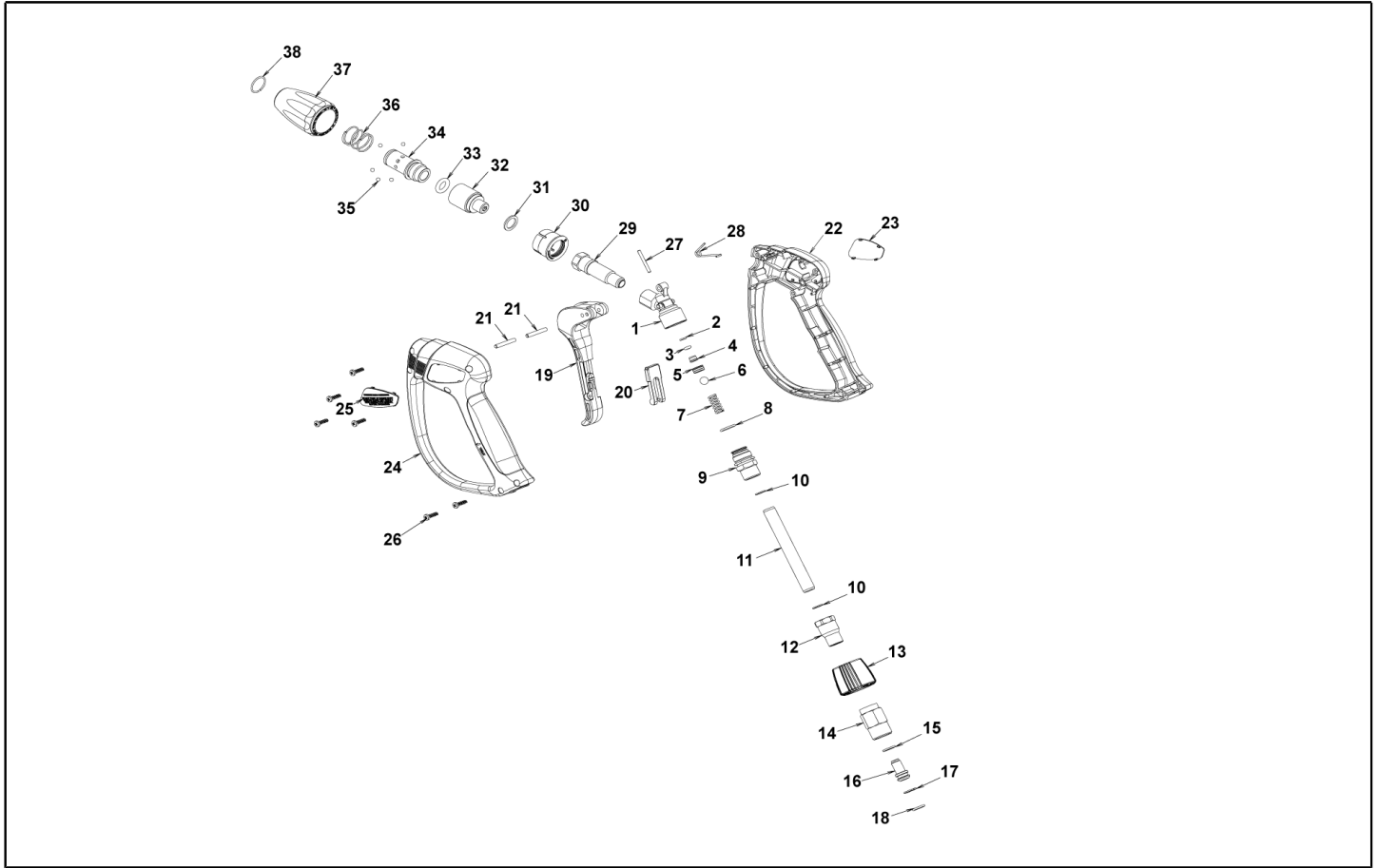




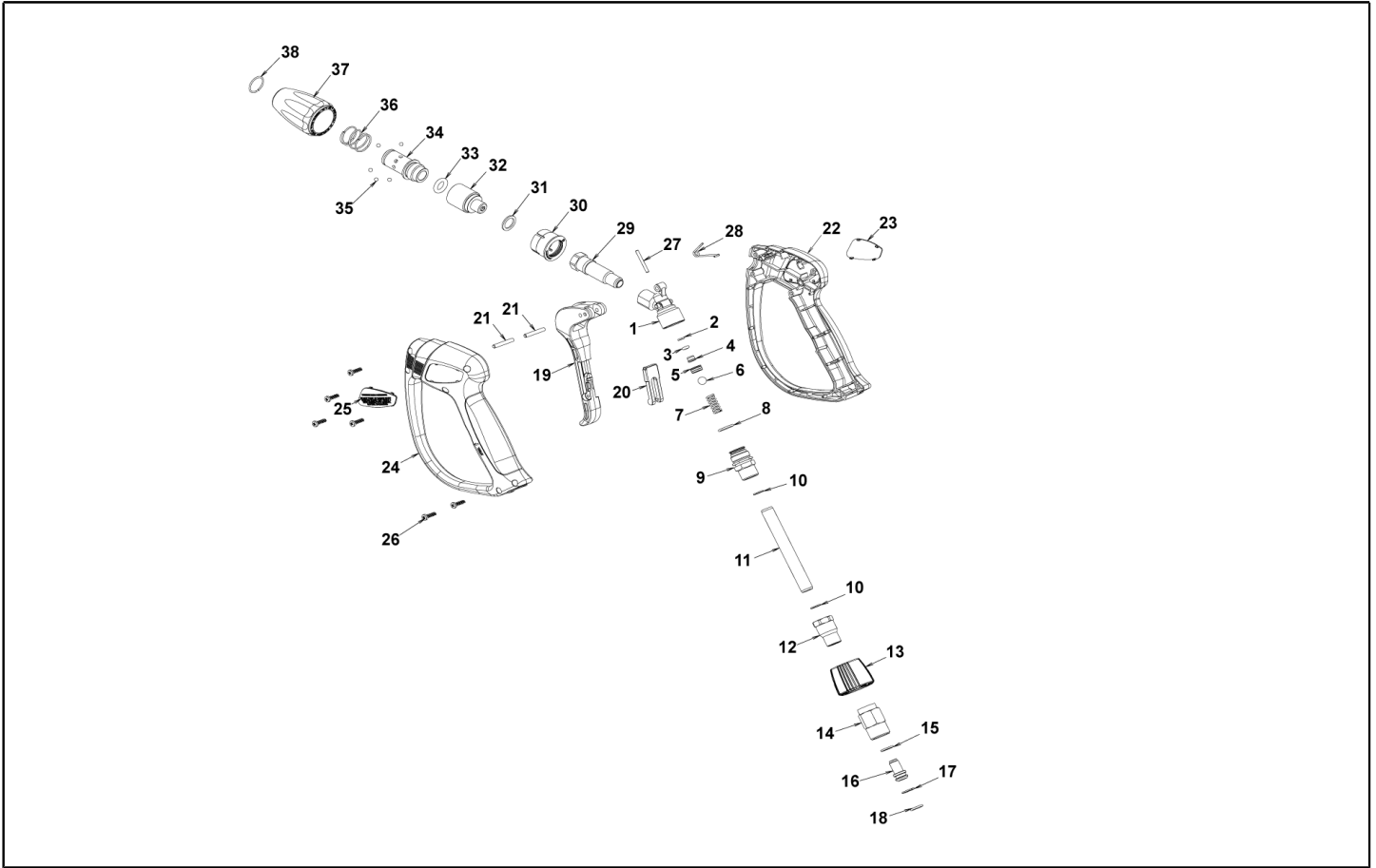
Ref. K	Part N.	Part N. 2	Description	Quantity	Validity		Price
					From	To	
0001	PVVR40375	N/A	VALVE BODY VRF2 +G1/8 F	1,00			--
0002	S PVVR40363	N/A	VALVE SEAT MV124 +OR	1,00			--
0003	S PVVR40364	N/A	COUPLING MV124	1,00			--
0004	S PVVR40365	N/A	SPACER MV124	1,00			--
0005	S GUGO12322	N/A	O-RING D. 14 X 1.78 NBR 90SH	1,00			--
0006	S GUVR40072	N/A	ANTI-EXTR.RING D. 6.5X 9.4	1,00			--
0007	S GUGO83861	N/A	O-RING D. 6.07 X 1.78 NBR 90SH	1,00			--
0008	S GUGO24913	N/A	O-RING D. 17.17 X 1.78 NBR 90SH	1,00			--
0009	S PVVR40388	N/A	CONNECTOR VRF2 RG.165 56A	1,00			--
0010	S GUGO03500	N/A	O-RING D. 6.75 X 1.78 NBR 70SH	1,00			--
0011	S GUVR40073	N/A	ANTI-EXTR.RING D. 7.1X10 X1.2 TBT	1,00			--
0012	S PVVR40367	N/A	SMALL PISTON D.10 VRF2	1,00			--
0013	S PVVR40368	N/A	SPRING PLATE MV124 25B	1,00			--
0014	S MLML47987	N/A	SPRING D. 3.25X41.1 MV 625	1,00			--
0015	S PVVR40369	N/A	RING NUT MV167.09	1,00			--
0016	S VTVT89696	N/A	SCREW EI-ST 4X 4 UNI5927 ZC	1,00			--
0017	S PVVR47989	N/A	CAP MV 625 REG.	1,00			--
0018	S PVVR47990	N/A	RING NUT MV 625 REG.	1,00			--
0019	S PVVR47991	N/A	REGISTER MV 625 REG.	1,00			--
0020	S PVVR47992	N/A	CLAMP MV 625 REG.	1,00			--
0021	S GUGO46053	N/A	O-RING D. 6 X 3 NBR 90SH	1,00			--
0022	PVVR40349	N/A	COUPLING VRT3	1,00			--
0023	MLML40026	N/A	SPRING VRT3	1,00			--
0024	S GUGO12321	N/A	O-RING D. 15.6 X 1.78 NBR 90SH	1,00			--
0025	PVVR40350	N/A	CONNECTOR VRT3 G 3/8F	1,00			--
0026	GUGO11225	N/A	O-RING D. 10.78 X 2.62 NBR 70SH	1,00			--
0027	PVVR40373	N/A	CONNECTOR VRF2.24	1,00			--



Ref. Part N.	Part N. 2	Description	Reference	Price
KTRI40237		KIT P 14-104 SET GUARNIZIONI	0002 0003 0005 0006 0007 0008 0010 0011 0021 0024	--
KTRI40256		KIT P 14-105 VRF2 Reg.	0002 0003 0004 0005 0006 0007 0008 0009 0010 0011 0012 0013 0014 0015 0016 0017 0018 0019 0020	--



Ref. K	Part N.	Part N. 2	Description	Quantity	Validity		Price
					From	To	
0001	PVVR40381	N/A	GUN BODY G 5100 G1/4F	1,00			--
0002	S GUVR40074	N/A	ANTI-EXTR.RING D. 3 X 7.4X1.3	1,00			--
0003	S GUGO21835	N/A	O-RING D. 2.84 X 2.62 VIT. 80SH	1,00			--
0004	PVVR40382	N/A	PISTON GUIDE G 5100	1,00			--
0005	S PVVR40563	N/A	BALL SEAT AL36 G6000 + OR	1,00			--
0006	S SFVR40004	N/A	BALL D. 5/16" ALL.GR16	1,00			--
0007	MLML40047	N/A	SPRING D. 9.4 x23.5x1.6 G6000	1,00			--
0008	GUGO12322	N/A	O-RING D. 14 X 1.78 NBR 90SH	1,00			--
0009	PVVR40383	N/A	CONNECTOR COLL.G5100 1/4F	1,00			--
0010	VTRS40017	N/A	WASHER D. 8,2X11,4X1,00	2,00			--
0011	PVVR40384	N/A	TUBE G 1/4" L.105	1,00			--
0012	RCIN40022	N/A	CONNECTOR SWIV G5100 1/4F	1,00			--
0013	MPVR40967	N/A	RING NUT G 6000 SW. GR.	1,00			--
0014	RCIN40021	N/A	JOINT SWIV 5100 M22	1,00			--
0015	S GUVR40075	N/A	ANTI-EXTR.RING D. 10 X14X1.5	1,00			--
0016	PVVR40386	N/A	SCREW SW. G 5100	1,00			--
0017	S GUVR40076	N/A	ANTI-EXTR.RING D. 11.2X14X1.2	1,00			--
0018	S GUGO15295	N/A	O-RING D. 10.82 X 1.78 VIT 75SH	1,00			--
0019	MPVR40820	N/A	TRIGGER G 6000-SW	1,00			--
0020	MPVR40821	N/A	SAFETY-DEVICE G 6000-SW	1,00			--
0021	VTVR40047	N/A	PLUG D. 4X29	2,00			--
0022	MPVR40822	N/A	SHELL G 6000-SW DX	1,00			--
0023	MPVR40968	N/A	PLATE G 6000/2 GR.DX	1,00			--
0024	MPVR40824	N/A	SHELL G 6000-SW SX	1,00			--
0025	MPVR40825	N/A	PLATE G 6000 GR.SX	1,00			--
0026	VTVT40043	N/A	SCREW AF 4X 14 HILO ZN.N	6,00			--
0027	PVVR40564	N/A	SMALL PISTON G 6000 AL36 SP.	1,00			--
0028	MLML40029	N/A	SPRING G 5100	1,00			--
0029	PVVR40521	N/A	CONNECTOR AL55 G1/4F	1,00			--
0030	MPVR40856	N/A	PROTECTION AR 4	1,00			--
0031	VTRS48089	N/A	WASHER D.13,5X18 X1,5 RM.	1,00			--
0032	PVVR40522	N/A	CONNECTOR AR 4 G1/4 M OT	1,00			--
0033	GUGO40079	N/A	O-RING D. 11 X 4 VIT 75SH	1,00			--
0034	PVVR40523	N/A	JOINT BODY AR 4 OT	1,00			--
0035	SFVR40003	N/A	BALL D.5/32" AISI 420C I.3290	8,00			--
0036	MLML40043	N/A	SPRING D. 23 X24.0 D.1.4 IX	1,00			--
0037	PVVR40524	N/A	KNOB AR 4 INS.OT	1,00			--
0038	VTAE40010	N/A	CIRCLIP D.18 -D.1.5 AR 4	1,00			--



Ref. Part N.	Part N. 2	Description	Reference	Price
KTRI40243		KIT P 26- 26 SWIVEL G 5100	0015 0017 0018	--
KTRI40513		KIT P 26- 36 G 6000/II	0002 0003 0005 0006	--